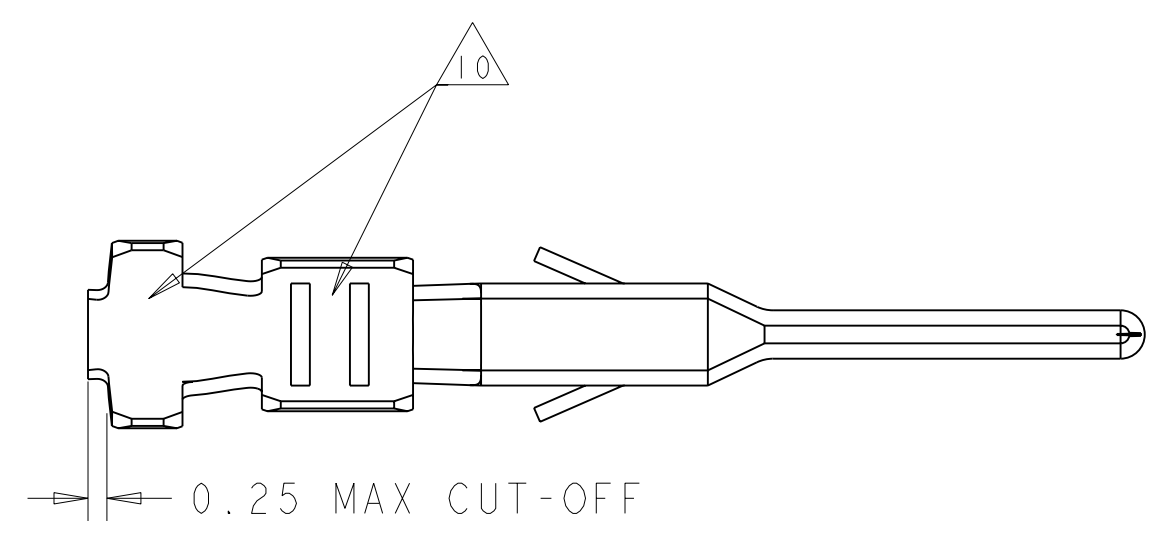
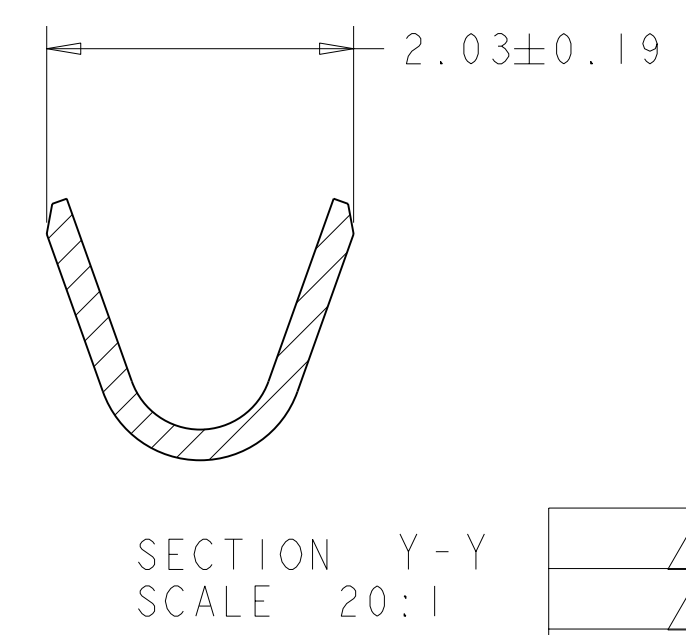
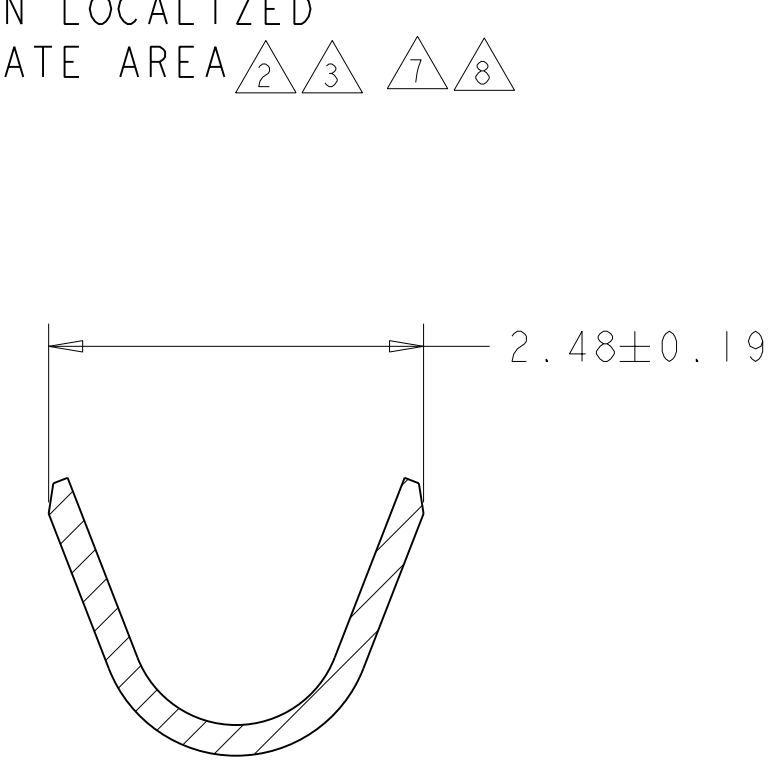
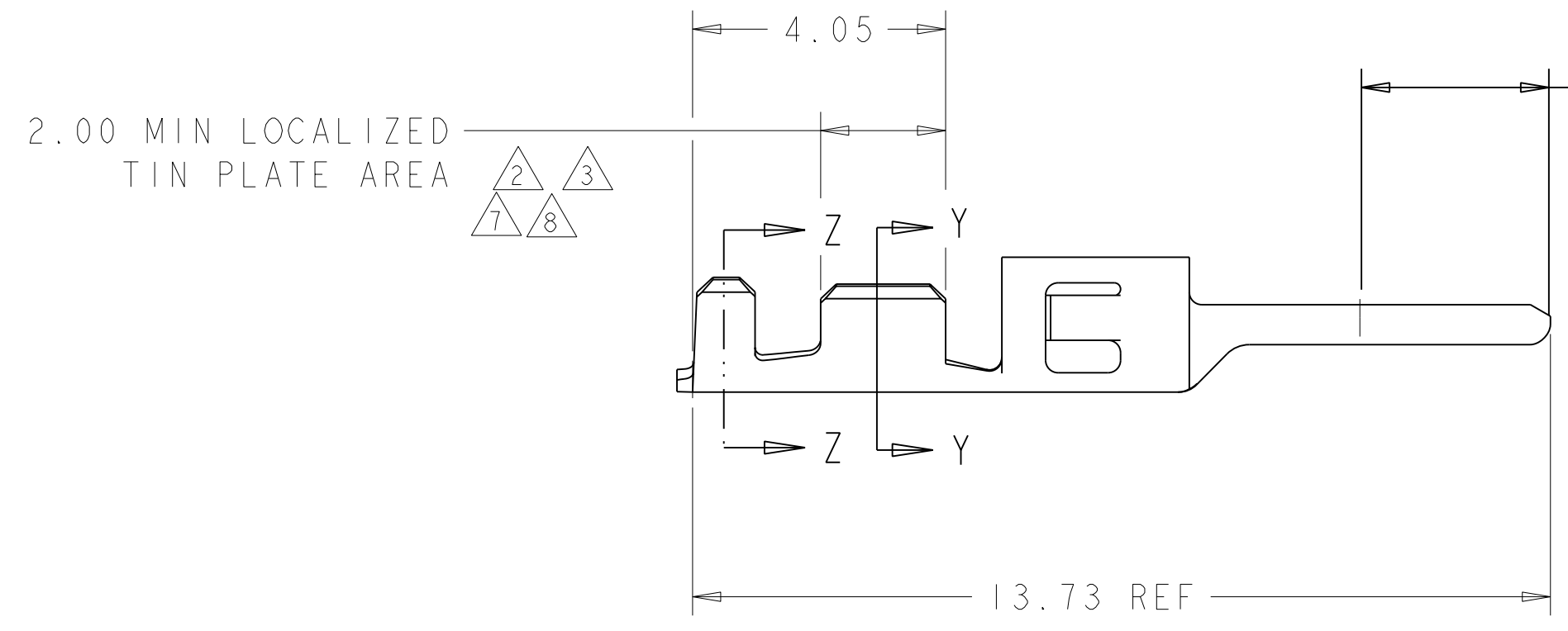


THIS DRAWING IS UNPUBLISHED. RELEASED FOR PUBLICATION 20  
 © COPYRIGHT 20 BY TYCO ELECTRONICS CORPORATION. ALL RIGHTS RESERVED.

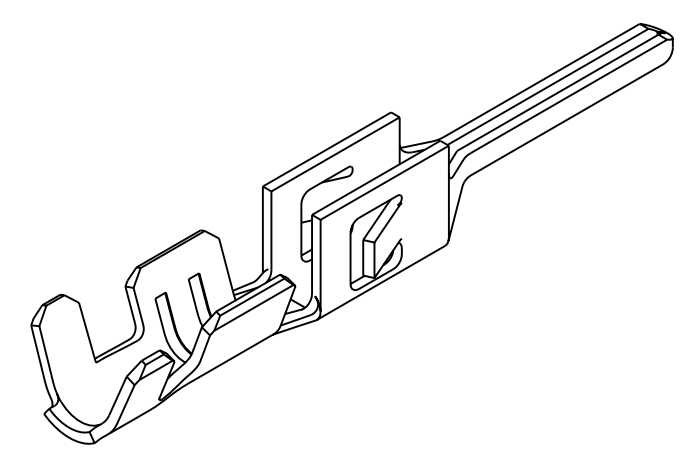
LOC	DIST	REVISIONS					
CM	00	P	LTR	DESCRIPTION	DATE	DWN	APVD
		A		REVISED PER 0G3B-0289-03	24-JUN-03	KW	CJ
		B		REVISED PER 0G3B-0519-03	24-JUN-03	KW	CJ
		C		REVISED PER 0G3B-1055-04	05JAN05	KW	CJ
		CI		REVISED PER ECO-05-015508	24FEB06	KW	CJ



- 1. 2.54 μm MIN BRIGHT TIN/LEAD ENTIRE STOCK OVER 1.27 μm MIN NICKEL ENTIRE STOCK.
- 2. 0.38 μm MIN GOLD IN LOCALIZED GOLD PLATE AREA, 2.5 μm MIN BRIGHT TIN/LEAD IN LOCALIZED TIN/LEAD PLATE AREA, BOTH OVER 1.27 μm MIN NICKEL ON ENTIRE STOCK.
- 3. 0.76 μm MIN GOLD IN LOCALIZED GOLD PLATE AREA, 2.5 μm MIN BRIGHT TIN/LEAD IN LOCALIZED TIN/LEAD PLATE AREA, BOTH OVER 1.27 μm MIN NICKEL ON ENTIRE STOCK.
- 4. WIRE RANGE 20-24 AWG.
- 5. INSULATION RANGE 0.89-1.52
- 6. 2.54 μm MIN BRIGHT TIN ENTIRE STOCK OVER 1.27 μm MIN NICKEL ENTIRE STOCK.
- 7. 0.38 μm MIN GOLD IN LOCALIZED GOLD PLATE AREA, 2.5 μm MIN BRIGHT TIN IN LOCALIZED TIN PLATE AREA, BOTH OVER 1.27 μm MIN NICKEL ON ENTIRE STOCK.
- 8. 0.76 μm MIN GOLD IN LOCALIZED GOLD PLATE AREA, 2.5 μm MIN BRIGHT TIN IN LOCALIZED TIN PLATE AREA, BOTH OVER 1.27 μm MIN NICKEL ON ENTIRE STOCK.
- 9. NOTE DELETED.
- 10. TIN PLATING THICKNESS INSIDE WIRE AND INSULATION BARRELS TO BE 1.27 μm MIN.



8	1-794612-2
7	1-794612-1
6	1-794612-0
3	794612-3
2	794612-2
1	794612-1
FINISH	PART NUMBER



METRIC

THIS DRAWING IS A CONTROLLED DOCUMENT FOR TYCO ELECTRONICS CORPORATION. IT IS SUBJECT TO CHANGE AND THE CONTROLLING ENGINEERING ORGANIZATION SHOULD BE CONTACTED FOR THE LATEST REVISION.

DIMENSIONS:	TOLERANCES UNLESS OTHERWISE SPECIFIED:	DWN	29AUG2000	Tyco Electronics Harrisburg, PA 17105-3608
mm	0 PLC ±	CHK	29AUG2000	
	1 PLC ±	APVD	29AUG2000	
	2 PLC ±0.13	PRODUCT SPEC		
	3 PLC ±	APPLICATION SPEC		NAME
	4 PLC ±	WEIGHT		PLUG CONTACT, CRIMP SNAP, 20-24 AWG
	ANGLES ±	CUSTOMER DRAWING		LOOSE PIECE, MICRO MATE-N-LOK(TM)
	FINISH -	SCALE	10:1	SIZE
MATERIAL	0.20 THK BRASS	SHEET	1	CAGE CODE
		OF	1	00779
		REV	CI	DRAWING NO
				C=794612